

LORRY MOUNTED CRANE SEATS

5011 FH/5012 FH
TOP35/TOP55



OFF ROAD SEATING MANUFACTURER



UNITED SEATS

Off Road Seating Manufacturer

United Seats... for Lorry mounted Forestry, loader and recycling cranes.

*“We’ve got
your back”*



**DUTCH
DESIGN**

United Seats is a worldwide manufacturer of off road seating solutions for the industrial, agricultural, forestry, construction and marine sectors.

All seats are produced under contract for us in a state of the art modern 75,000m² facility using the latest manufacturing techniques.

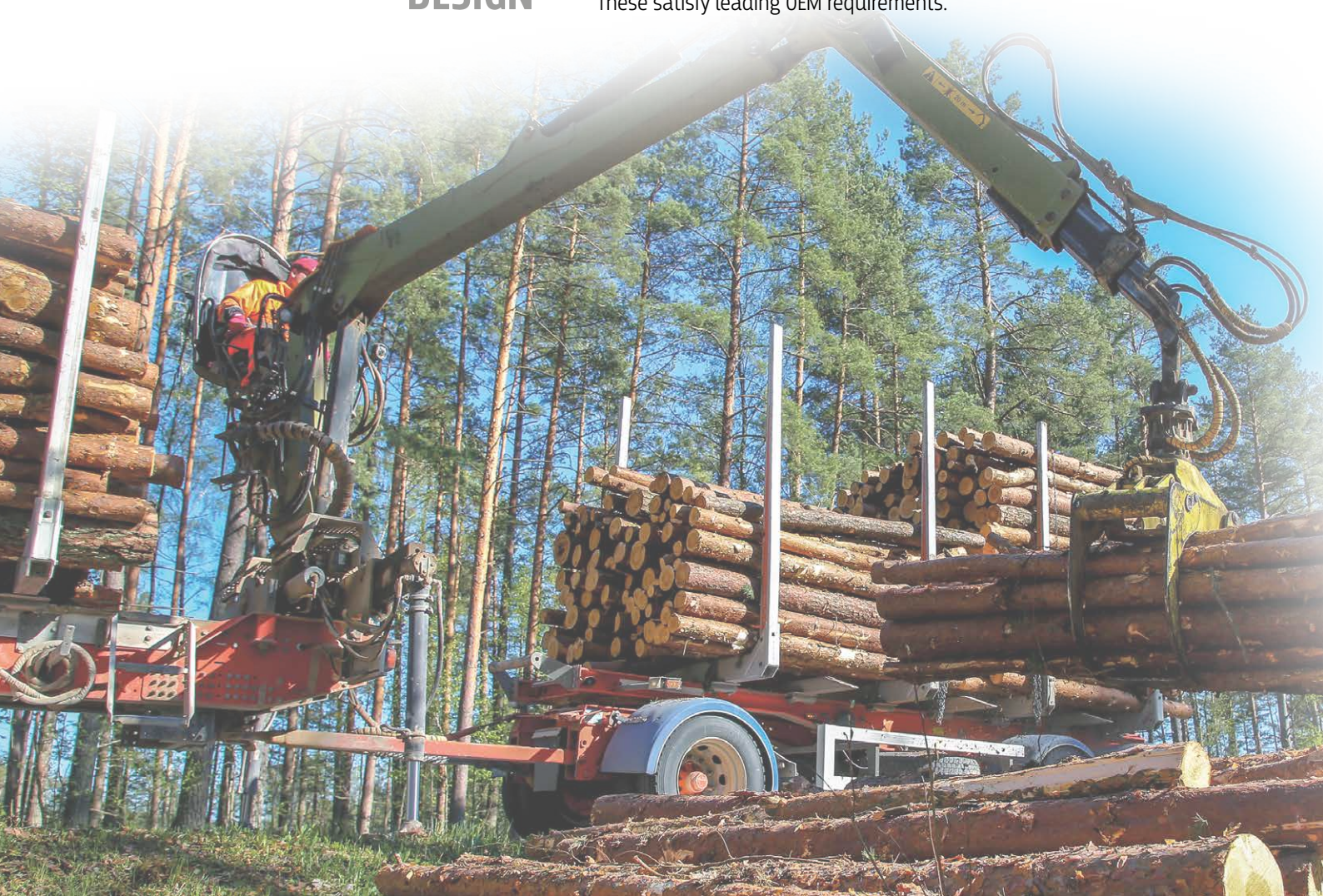
We are based in Zwijndrecht, The Netherlands from where we supply a portfolio of OEMs and Dealer network around the world. United Seats remains committed to innovation, providing seating products and backed by excellent sales and service support. Our in-house design capability allows us to tailor product for OEM and dealer specification.

Our range comprises a selection of air and mechanical suspensions and a wide selection of seat uppers and seat pans. Our skill is in ‘Uniting your seat’.

These small cranes fitted to lorries are mostly without a cabin and operate in all weathers. The forestry cranes in particular are used in mountain and remote areas and in very cold conditions (down to -40°C).

To maintain operator comfort the seats need to achieve these criteria and also to maintain good UV stability.

These satisfy leading OEM requirements.



5011/5012 FH

UnitedSeats 5011/5012 FH are strong, fixed back comfortable static seats fitted with 24v heater elements.

The adjustable armrests are tested to 170kgs and the retractable seat belt provides operator safety for a high exposed sitting position. Slide rails give 150mm of travel.

Standard features



Heavy Duty PVC



Low Back Seat



Slide Rail Travel
150mm



Armrests
170kg weight capacity



Retractable Seat Belt



24v Heaters

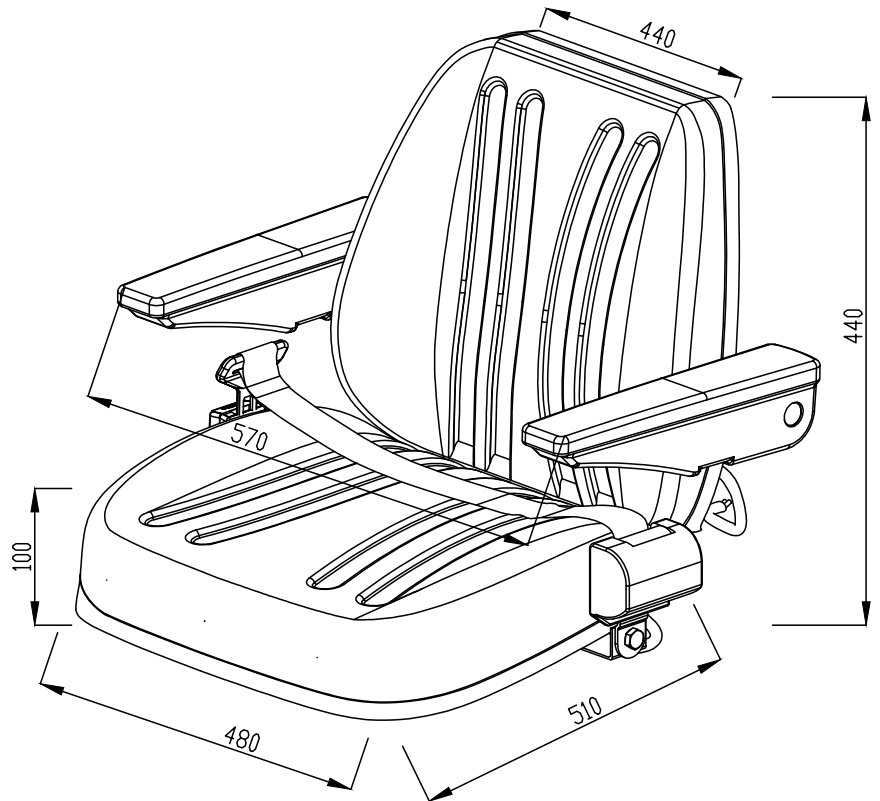
Optional features



Mechanical and air suspensions or available




Non heated version





TOP35


TOP35 features modern styling to suit latest machine types. Strong, low back seat with full back rest recliner and fold forward adjustment. Comfortable waterproof seat cushions with 24v integral heaters. Integral retractable seat belt for safety in high sitting positions.


Standard features


-  **Heavy Duty PVC**


-  **Low Back Seat**

-  **Slide Rail Travel**
180mm @ 325mm centres

-  **Backrest adjustment**


-  **Retractable Seat Belt**


-  **24v Heaters**


-  **Fold forward feature**





Optional features


-  **Mechanical and air suspensions or available**


-  **Backrest extension**

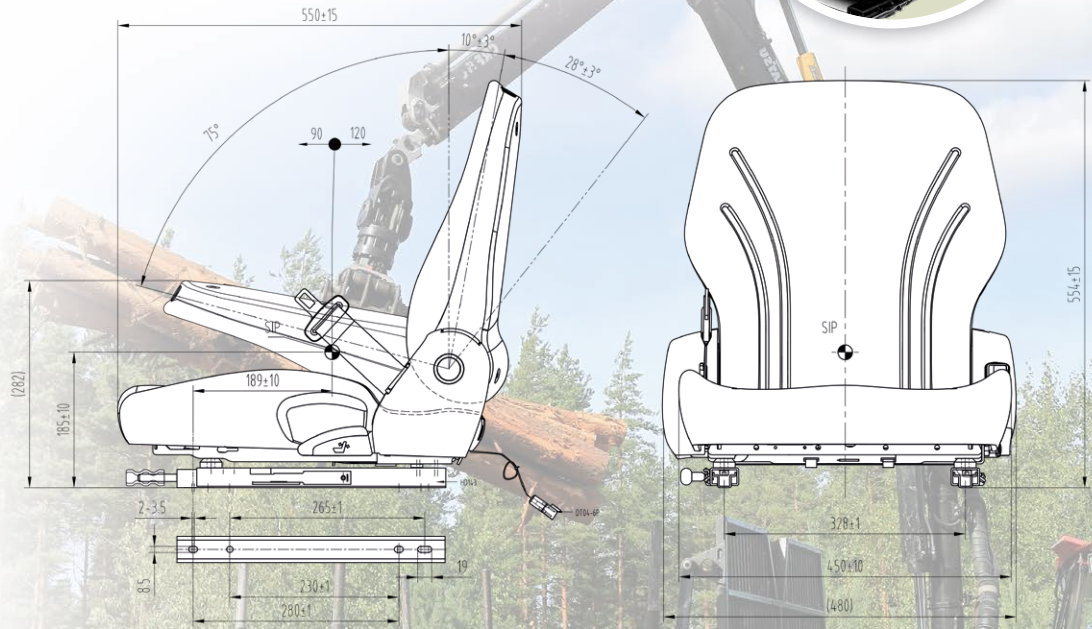
-  **Armrests**
170kg weight capacity

-  **Comfort back cushion**

-  **Document pouch**

-  **Non heated version**

-  **Fabric trim**



TOP55

TOP55 features modern styling to suit latest machine types. Strong, mid back seat with full back rest recliner and fold forward adjustment. Comfortable waterproof seat cushions with 24v integral heaters. Integral retractable seat belt for safety in high sitting positions. Fabric version available for machines with cabins.

Standard features



HD Heavy Duty PVC



Mid Back Seat



Slide Rail Travel
180mm @ 328mm centres



Backrest adjustment



Fold forward feature



Retractable Seat Belt



24v Heaters

Optional features



Mechanical and air suspensions or available



Backrest extension



Armrests
170kg weight capacity



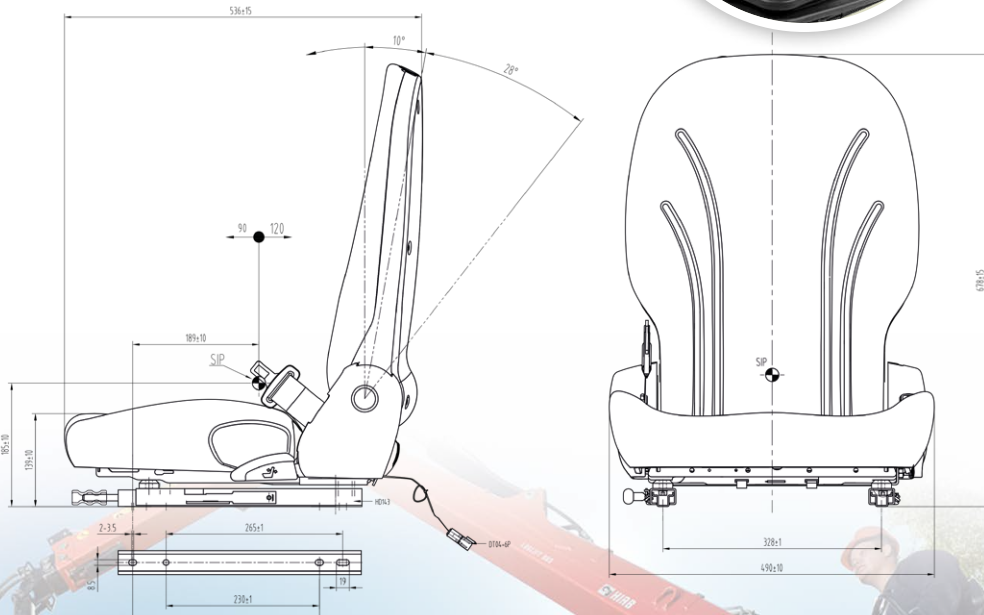
Document pouch



Non heated version



Fabric trim





YOUR OFF ROAD **SEATING** MANUFACTURER

Your UnitedSeats dealer:



At UnitedSeats we are dedicated to providing a quality service from the initial quotation to final product delivery. Our commitment to service, knowledge and product availability has made us the preferred source for your seating needs.

WWW.UNITEDSEATS.COM

